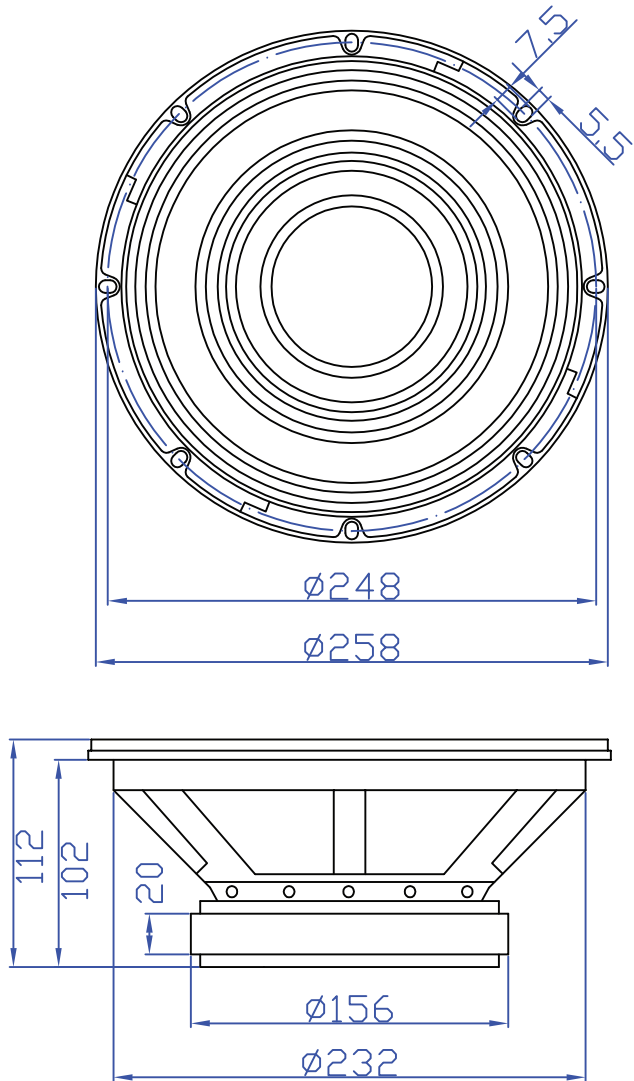




# 10PT-8 10" Professional Woofer

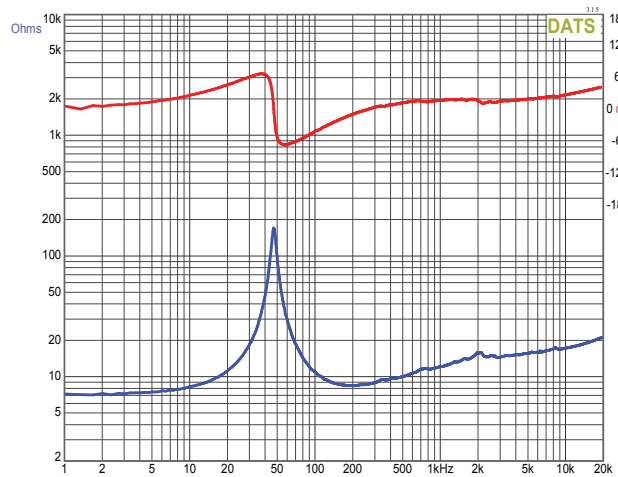
## MECHANICAL DRAWING



## FEATURES

- Lightweight ribbed paper cone allows high efficiency with minimal resonance
- Smooth on and off axis response up to 2,000 Hz for use in high output 2 or 3-way designs
- Extensive venting keeps cool air flowing across the voice coil to minimize power compression
- Inductance lowering copper cap reduces distortion and extends high frequency response
- Spring-loaded push-button terminals makes wire connections quick and easy
- Foam front gasket ensures an airtight seal for rear mount installations

## IMPEDANCE/PHASE

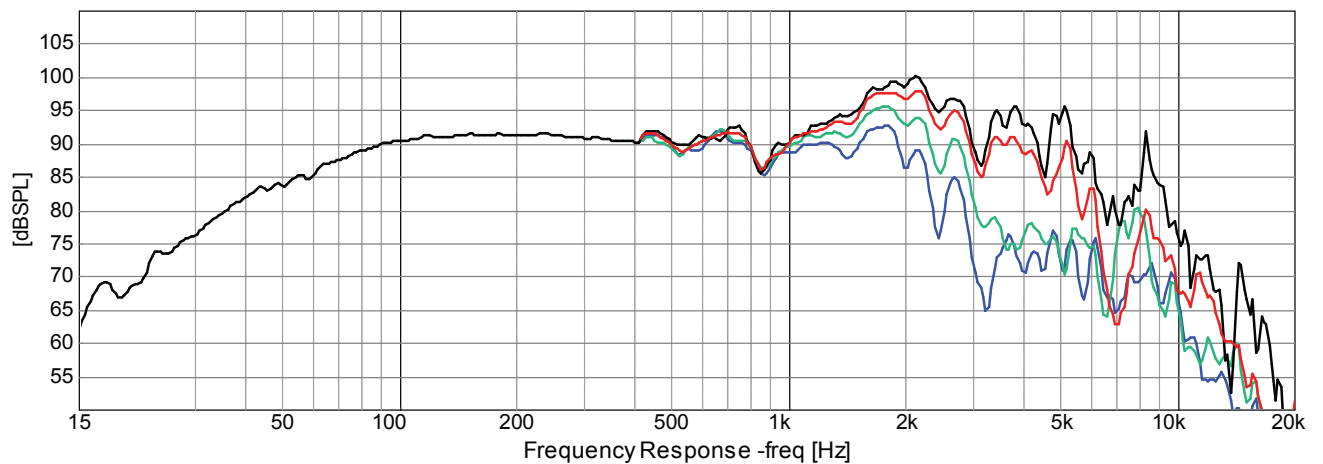


## PARAMETERS

Impedance	8 ohms
Re	7.1 ohms
Le	1.6 mH
Fs	47 Hz
Qms	11.40
Qes	0.50
Qts	0.48
Mms	43 g
Cms	0.27 mm/N
Sd	348.0 cm <sup>2</sup>
Vd	271.5 cm <sup>3</sup>
BL	13.4 Tm
Vas	46.1 liters
Xmax	7.8 mm*
Top Plate Height	7 mm
Voice Coil Length	16 mm
VC Diameter	50.8 mm
SPL	93 @ 2.83V/1m
RMS Power Handling (AES 426B)	200 watts
Usable Frequency Range (Hz)	40 - 7,000 Hz

$$* X_{max} = \left[ \frac{\text{Voice Coil Length} - \text{Top Plate Height}}{2} \right] + 1/3 \text{ Top Plate Height}$$

## FREQUENCY RESPONSE



OmniMic

Note: 1/24<sup>th</sup> octave smoothing - nearfield response included in graph below 450 Hz.